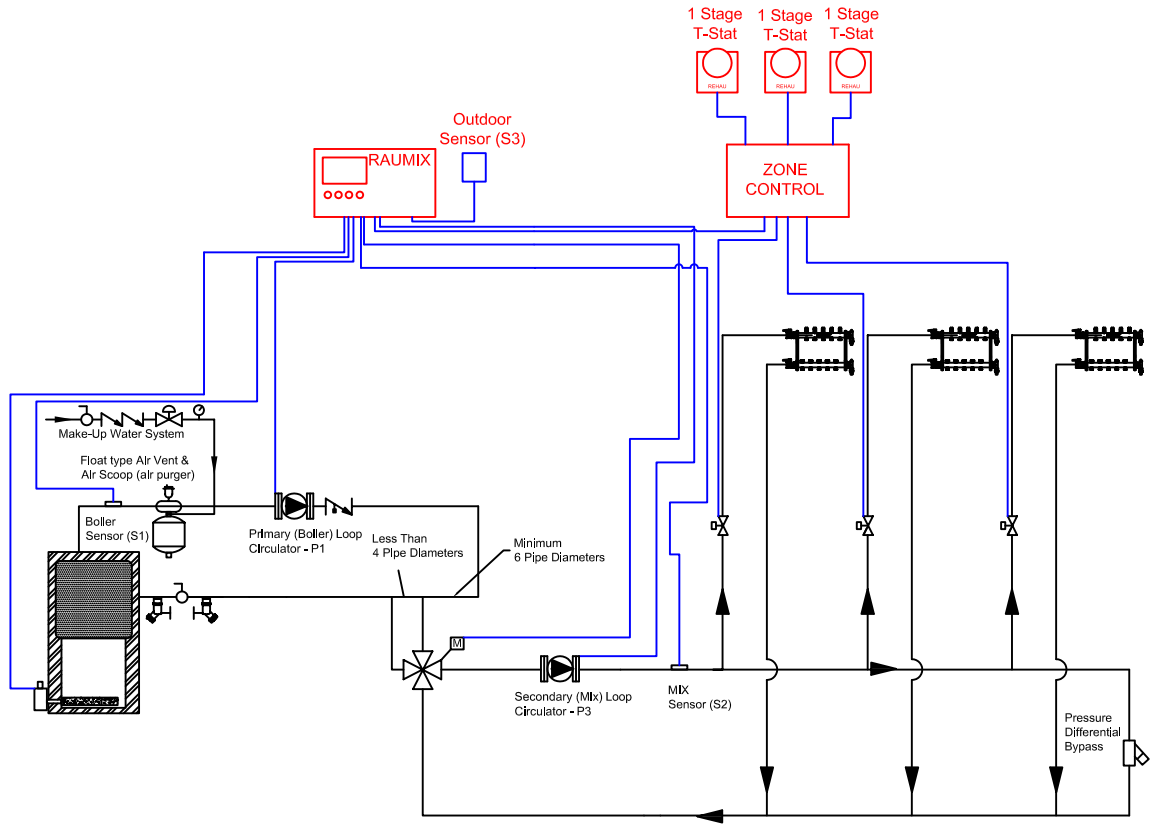
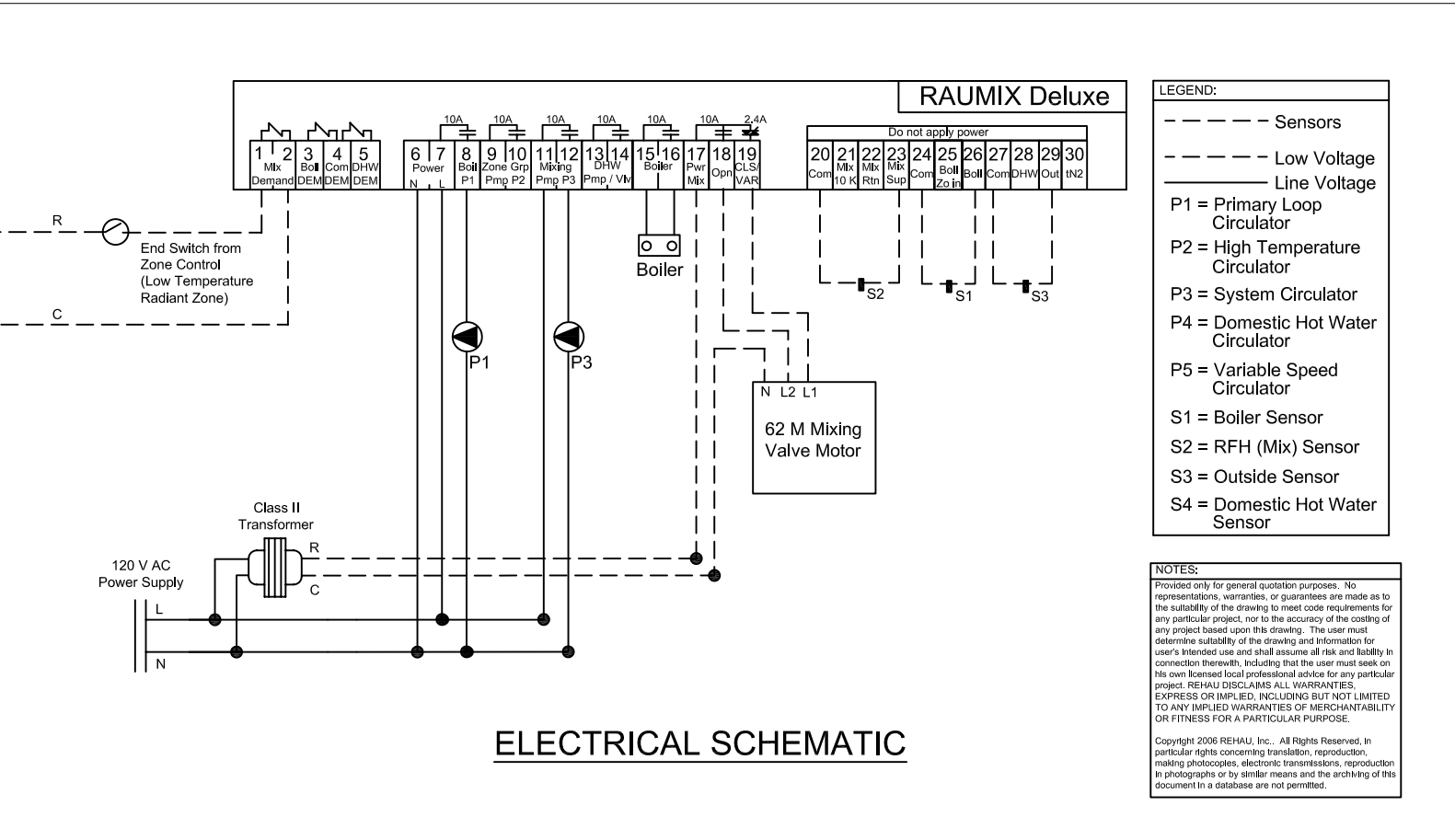


**LEGEND:**

	4-way Mixing Valve and Motor
	Fill / Purge Valves
	Circulator
	Make-Up Water System
	Flow Check Valve
	Swing Check Valve
	Pressure Differential Bypass Valve
	PRO-BALANCE Manifold
	Baseboard Zone (s)
	Float type Air Vent & Air Scoop (air purger)
	Zone Valve



## MECHANICAL ROOM SCHEMATIC



## ELECTRICAL SCHEMATIC